



# NORTEC

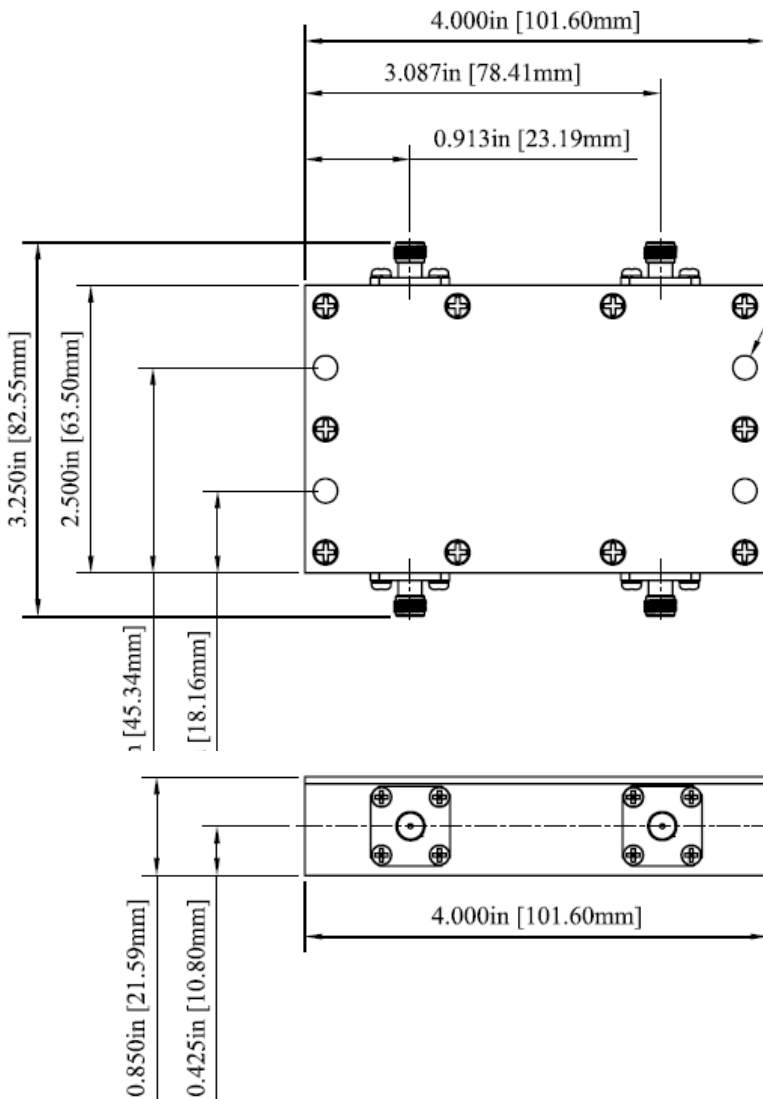
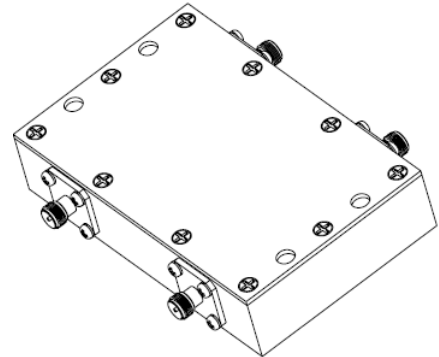
RF Products

## 3dB, 90° Hybrid Coupler

### Model #: H100045000

### Electrical Specifications

**Frequency:** 0.38-0.52 GHz  
**Average Power:** 150 Watts (**max**)  
**Amplitude Balance:** +/- 0.2 dB (**max**)  
**Insertion Loss:** 0.15 dB (**max**)  
**Isolation:** 24 dB (**typ**)  
**Phase Balance:** 90 +/- 1°  
**VSWR:** 1.2:1 (**max**) (Nominal 50 Ohm all ports)



4 HOLES, Ø0.210"

### Mechanical Specifications

**Connectors:** SMA (F), Nickel plated Brass  
**Connector Insulator:** PTFE  
**Connector Pin:** Gold plated Beryllium Copper  
**Enclosure:** Aluminum – clear irridite per MIL-C-5541 class 3

### Notes:

- All ports are assumed to be terminated with 50 Ohm loads.
- When used at full power, heat sink mounting is required.
- **Operating temperature** is -35° C to 85° C