



# NORTEC

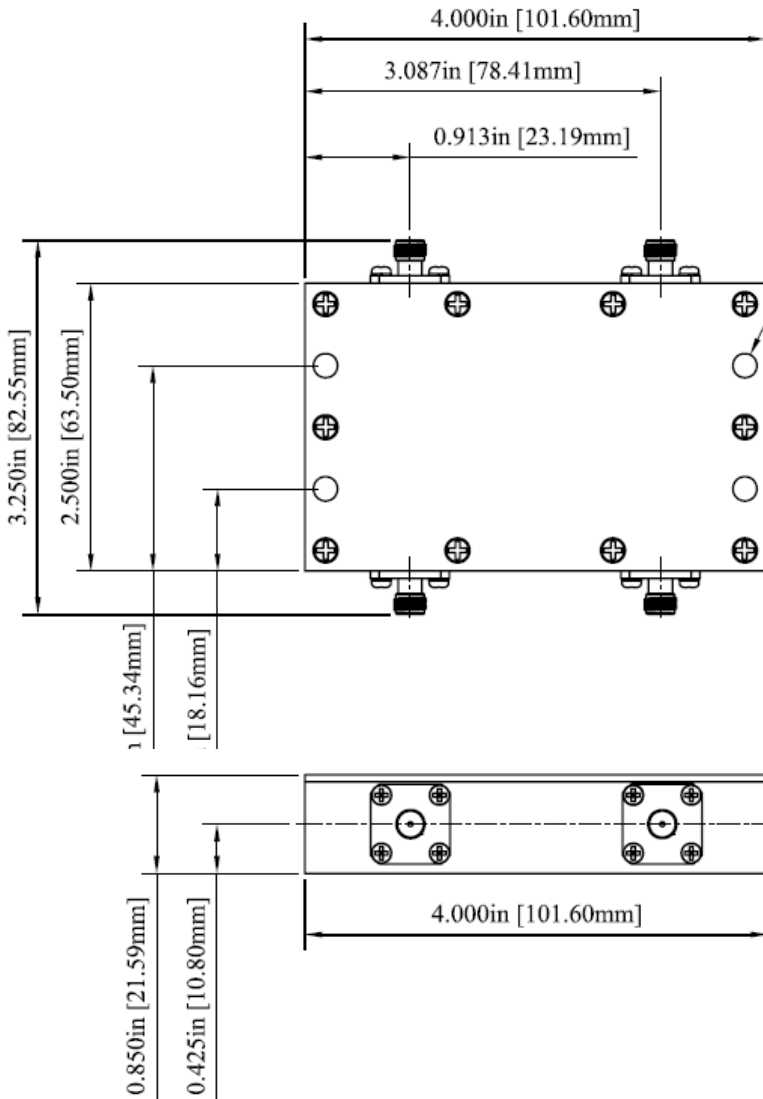
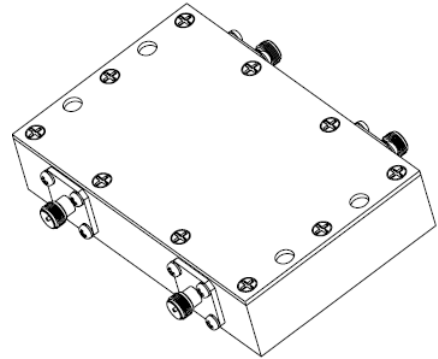
RF Products

## 3dB, 90° Hybrid Coupler

### Model #: H100040000

### Electrical Specifications

- Frequency:** 0.3-0.5 GHz
- Average Power:** 150 Watts (**max**)
- Amplitude Balance:** +/- 0.2 dB
- Insertion Loss:** 0.15 dB (max)
- Isolation:** 24 dB (**typ**)
- Phase Balance:** 90 +/- 1.0°
- VSWR:** 1.2:1 (**max**) (Nominal 50 Ohm all ports)



4 HOLES, Ø0.210"

### Mechanical Specifications

- Connectors:** SMA (F), Nickel plated Brass
- Connector Insulator:** PTFE
- Connector Pin:** Gold plated Beryllium Copper
- Enclosure:** Aluminum – clear irridite per MIL-C-5541 class 3

### Notes:

- All ports are assumed to be terminated with 50 Ohm loads.
- When used at full power, heat sink mounting is required.
- Operating temperature** is -35° C to 85° C