



# NORTEC

RF Products

Low Pass Filter

Model #: F10020000

## Electrical Specifications

**Pass Band:** DC- 2000 MHz

**Order:** 7<sup>th</sup> order

**Average Power:** 20 Watts (**max**)

**Insertion loss in pass band :** 1.0 dB (**max**)

**Return Loss in pass band:** 10 dB (**min**)

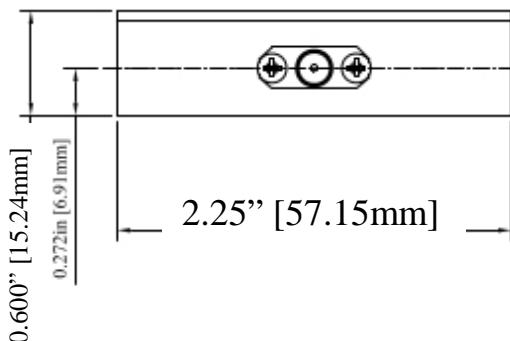
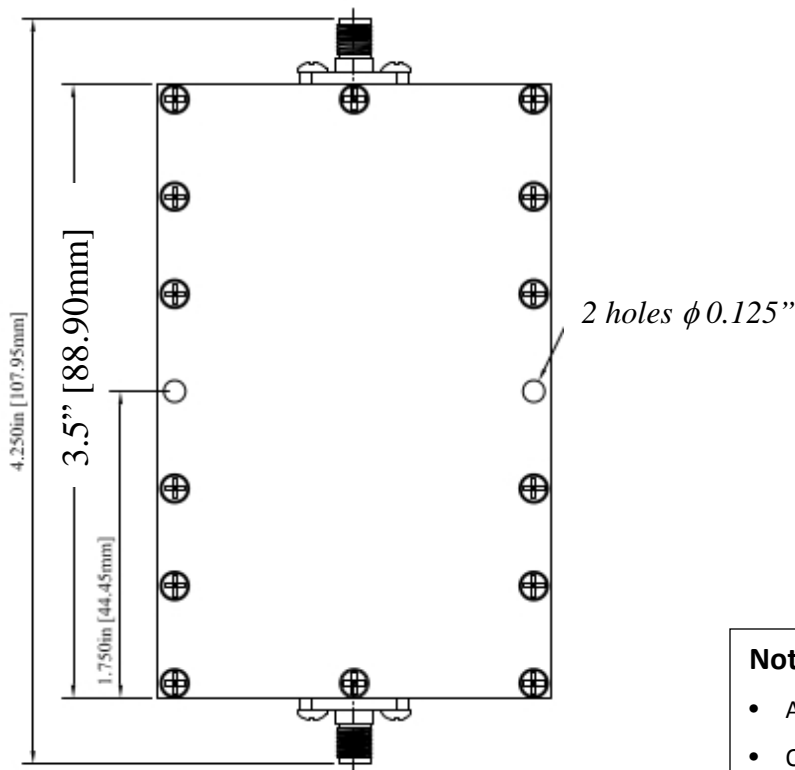
**Rejection:** >25 dB from 2.75 GHz – 7.8 GHz



## Mechanical Specifications

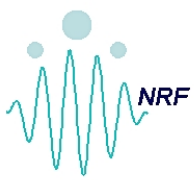
**Connectors:** SMA (F)

**Enclosure:** Aluminum – clear irridite per MIL-C-5541 class 3



## Notes:

- All ports are assumed to 50 Ohm.
- Operating temperature is -35° C to 85° C



# NORTEC

RF Products

Low Pass Filter

Model #: F100200000

