



NORTEC

RF Products

Low Pass Filter

Model #: F100006000

Electrical Specifications

Pass Band: DC- 60 MHz

Order: 7th order

Average Power: 5 Watts (**max**)

Insertion loss in pass band : 0.6 dB (**max**)

Return Loss in pass band: 15 dB (**min**)

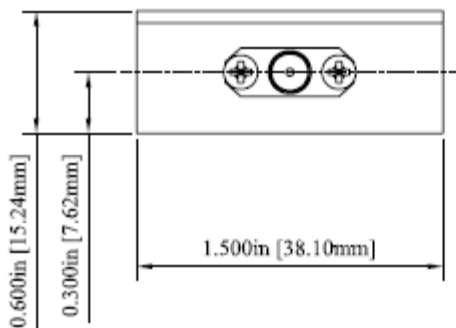
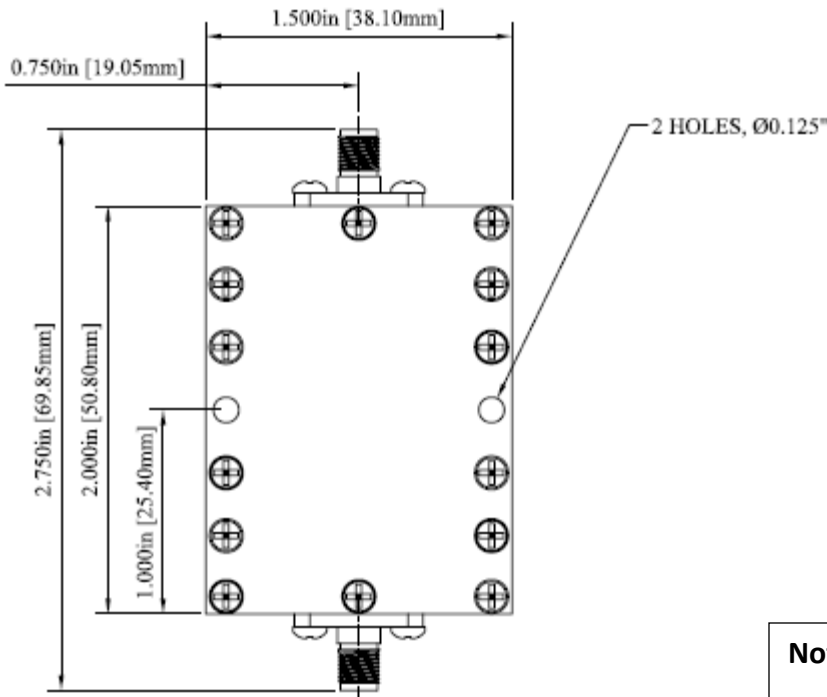
Rejection: >40 dB from 120 MHz – 0.5 GHz



Mechanical Specifications

Connectors: SMA (F)

Enclosure: Aluminum – clear irridite per MIL-C-5541 class 3



Notes:

- All ports are assumed to 50 Ohm.
- Operating temperature is -35° C to 85° C

