



# NORTEC

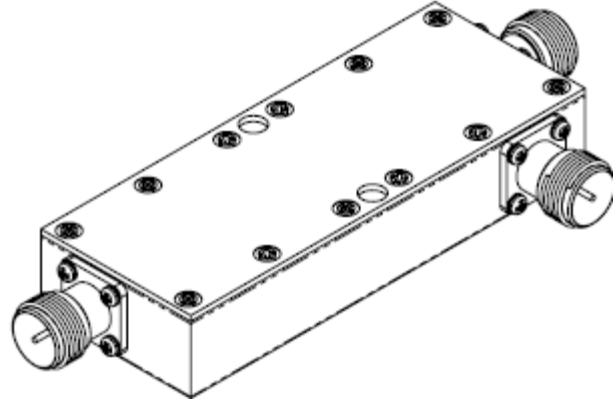
RF Products

## Uni Directional Coupler

Model #: D220066500

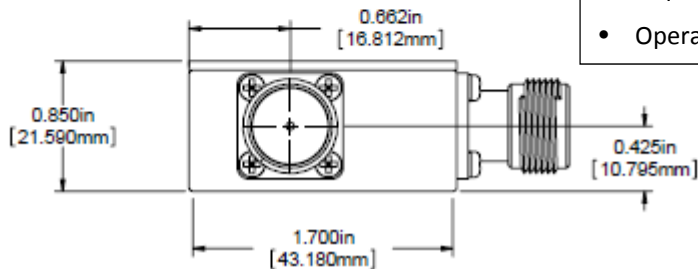
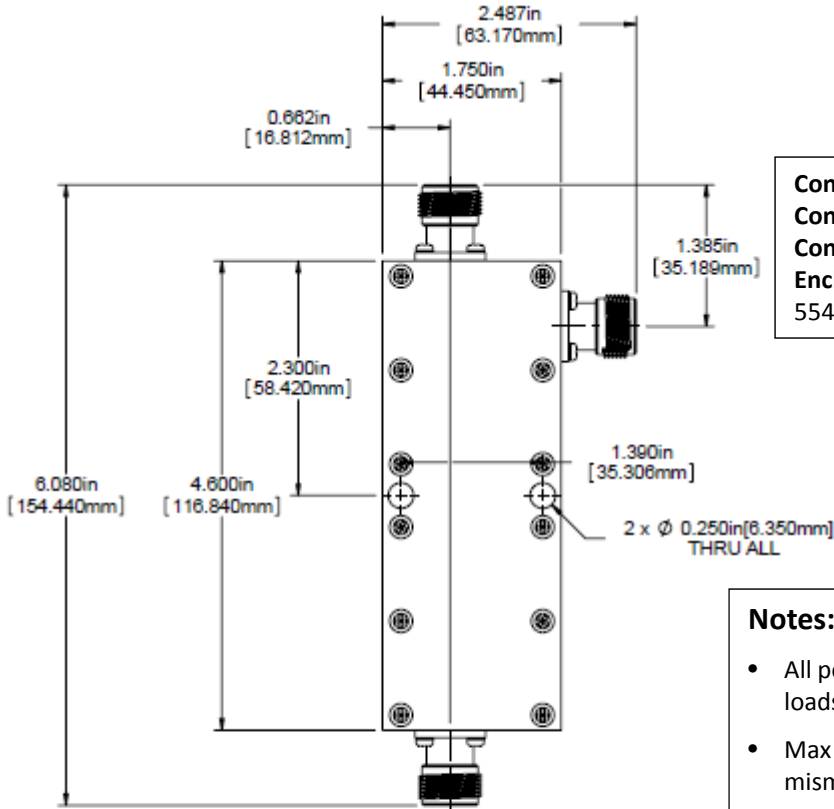
### Electrical Specifications

**Frequency:** 470-860 MHz  
**Average:** 100 Watts (**max**)  
**Coupling:** 20 dB +/- 0.75 dB  
**Frequency Sensitivity:** +/- 1.25 dB  
**Insertion Loss:** 0.15 dB (**max**), 0.1 dB (**typ**)  
**Directivity:** 24 dB (**typ**)  
**Main Line VSWR:** 1.15:1 (**max**) (50 Ohm all ports)



### Mechanical Specifications

**Connectors:** N (F), Nickel plated Brass  
**Connector Insulator:** PTFE  
**Connector Pin:** Gold Plated Beryllium Copper  
**Enclosure:** Aluminum – clear irridite per MIL-C-5541 class 3



### Notes:

- All ports are assumed to be terminated with 50 Ohm loads for max. forward power rating.
- Max reverse power = 5 W. (with output load mismatch)
- When used at full power, heat sink mounting is required.
- Operating temperature is -35° C to 85° C