



NORTEC

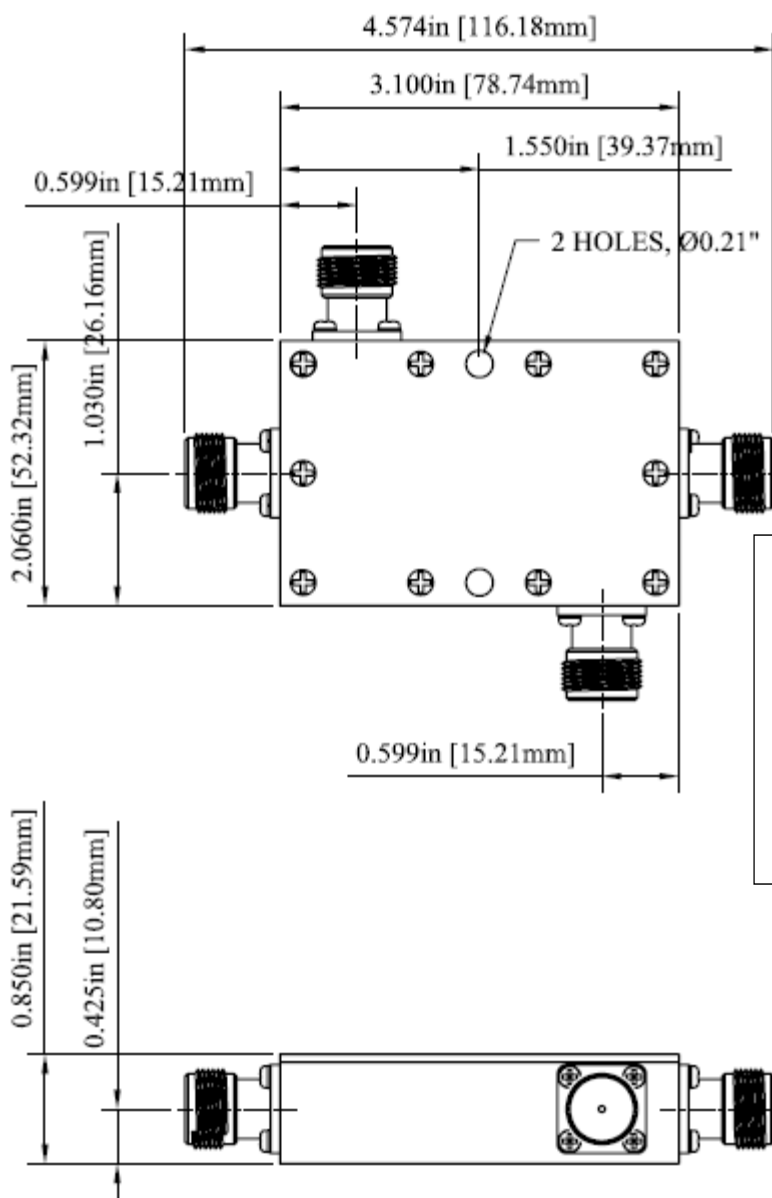
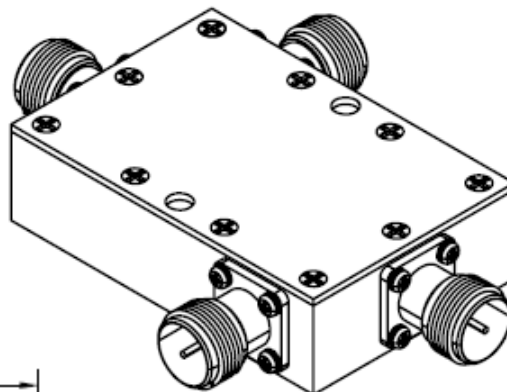
RF Products

Dual Directional Coupler

Model #: D240150010

Electrical Specifications

Frequency: 1.0-2.0 GHz
Average Power: 250 Watts (max)
Coupling: 40 +/- 1.5 dB
Insertion Loss: 0.2 dB (max), 0.1 dB (typ)
Directivity: 24 dB (typ)
Main Line VSWR: 1.2:1 (max) (50 Ohm all ports)



Mechanical Specifications

Connectors: N (F), Nickel plated Brass
Connector Insulator: PTFE
Connector Pin: Gold Plated Beryllium Copper
Enclosure: Aluminum – clear irridite per MIL-C-5541 class 3

Notes:

- All ports are assumed to be terminated with 50 Ohm loads for max. forward power rating.
- Max reverse power = 50 W. (with output load mismatch)
- When used at full power, heat sink mounting is required.
- Operating temperature is -35° C to 85° C