



NORTEC

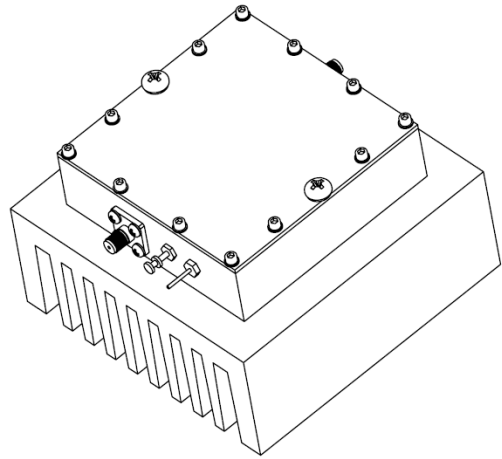
RF Products

Medium Gain General Purpose Amplifier

Model #: A100043000

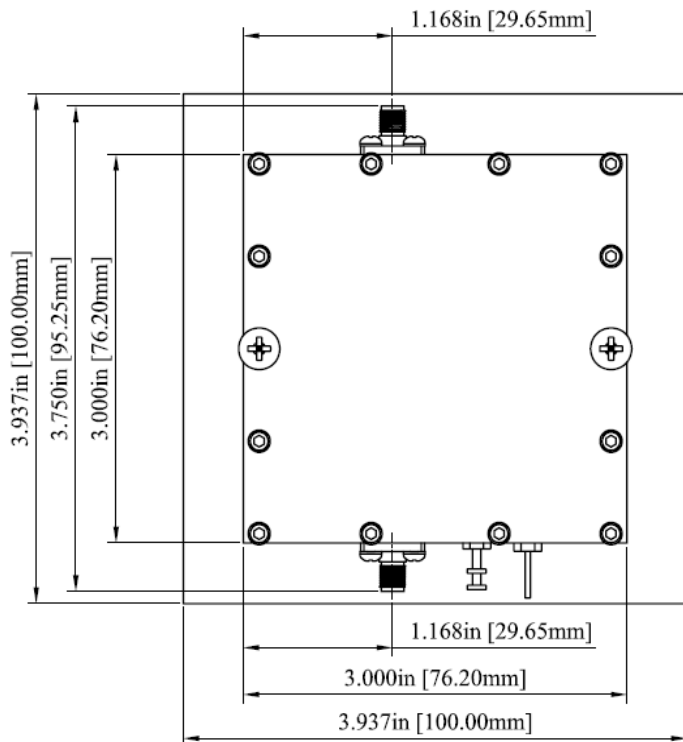
Electrical Specifications

Frequency: 360-500 MHz
P1dB: 4 Watts (36 dBm) (minimum)
Gain: 21.0 dB (min.)
Gain Flatness: +/- 2.0 dB
Input VSWR: 2.5:1 MAX
Max DC current: 1.9 A
Supply Voltage: 12 V (12.5 V max.)
Absolute Max. Input RF: 15 dBm



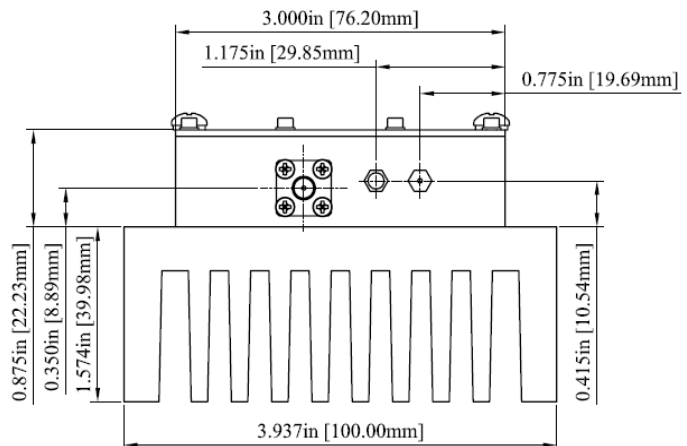
Connectors: SMA (F)

Enclosure: Aluminum – clear irridite per MIL-C-5541 class 3



NOTES

- Over-supply voltage protection.
- Over-current protection.
- Input/output ports should have 50 Ohm source/load, respectively.
- Open load is not recommended.
- Operating temperature is -35° C to 75° C





NORTEC

RF Products

Medium Gain General Purpose Amplifier

Model #: A100043000

