



NORTEC

RF Products

Medium Gain General Purpose Amplifier

Model #: A100035000

Electrical Specifications

Frequency: 300-400 MHz

P1dB: 4 Watts (36 dBm) (minimum)

Gain: 22 dB (min.)

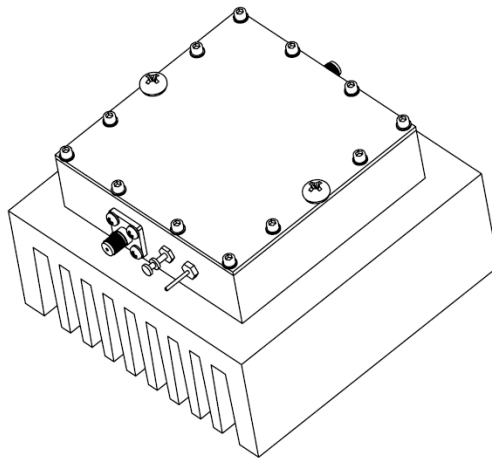
Gain Flatness: +/- 1.0 dB

Input VSWR: 2.5:1 MAX

DC current: 1 A

Supply Voltage: 12 V (12.5 V max.)

Absolute Max. Input RF: 15 dBm

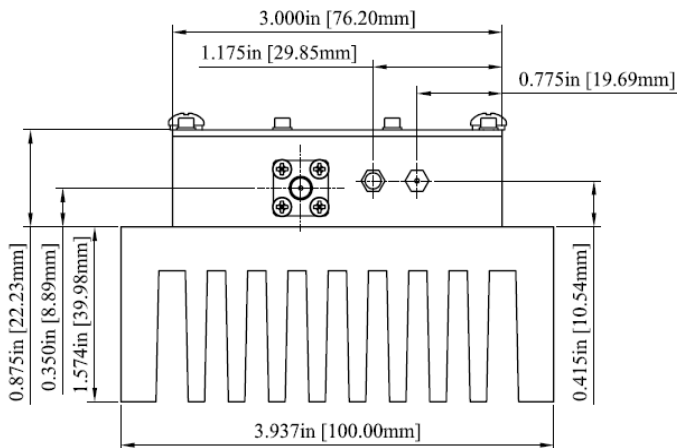
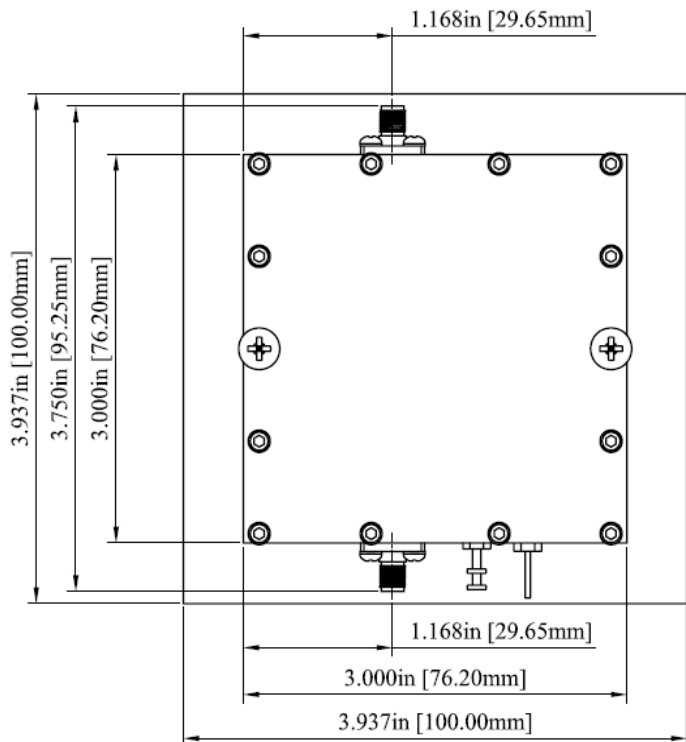


Connectors: SMA (F)

Enclosure: Aluminum – clear irridite per MIL-C-5541 class 3

NOTES

- Over-supply voltage protection.
- Over-current protection.
- Input/output ports should have 50 Ohm source/load, respectively.
- Open load is not recommended.
- Operating temperature is -35° C to 75° C





NORTEC

RF Products

Medium Gain General Purpose Amplifier

Model #: A100035000

