



# NORTEC

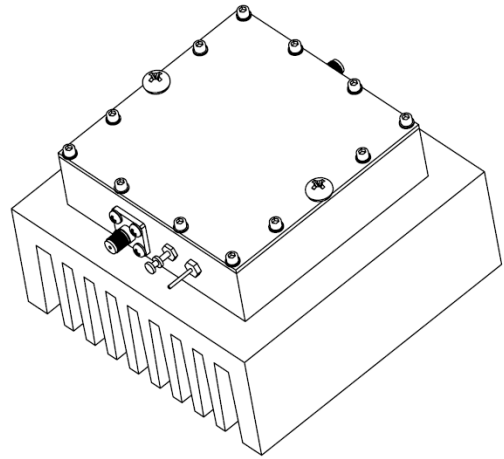
RF Products

## Medium Gain General Purpose Amplifier

### Model #: A100008000

#### Electrical Specifications

**Frequency:** 60-100 MHz  
**P1dB:** 4 Watts (36 dBm) (minimum)  
**Gain:** 20 dB (min.)  
**Gain Flatness:** +/- 1.5 dB  
**DC current:** 1.25 A  
**Input VSWR:** 1.5:1 MAX  
**Supply Voltage:** 12 V (12.5 V max.)  
**Absolute Max. Input RF: 17 dBm**



**Connectors:** SMA (F)

**Enclosure:** Aluminum – clear irridite per MIL-C-5541 class 3

#### NOTES

- Over-supply voltage protection.
- Over-current protection.
- Input/output ports should have 50 Ohm source/load, respectively.
- Open load is not recommended.
- Operating temperature is -35° C to 75° C

