



NORTEC

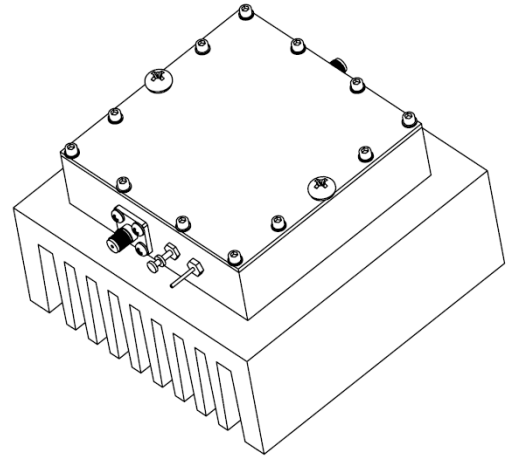
RF Products

High Gain General Purpose Amplifier

Model #: A110043000

Electrical Specifications

- Frequency:** 360-500 MHz
- P1dB:** 4.0 Watts (36.0 dBm) (minimum)
- Gain:** 37 dB (min.)
- Gain Flatness:** +/- 1.5 dB
- Input VSWR:** 2.5:1 MAX
- Max DC current:** 1.8 A
- Supply Voltage:** 12 V (12.5 V max.)
- Absolute Max. Input RF:** 3 dBm

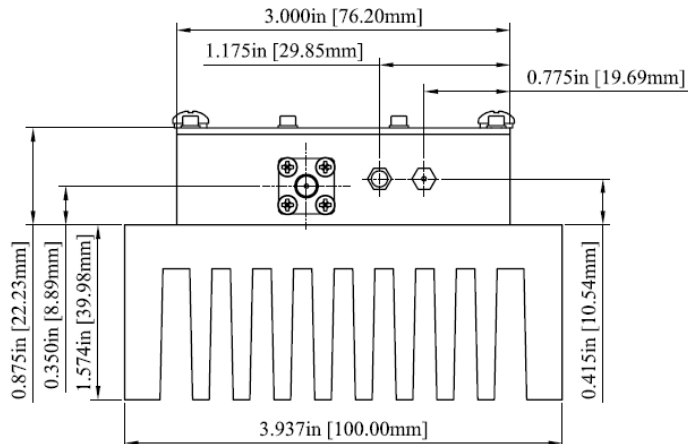
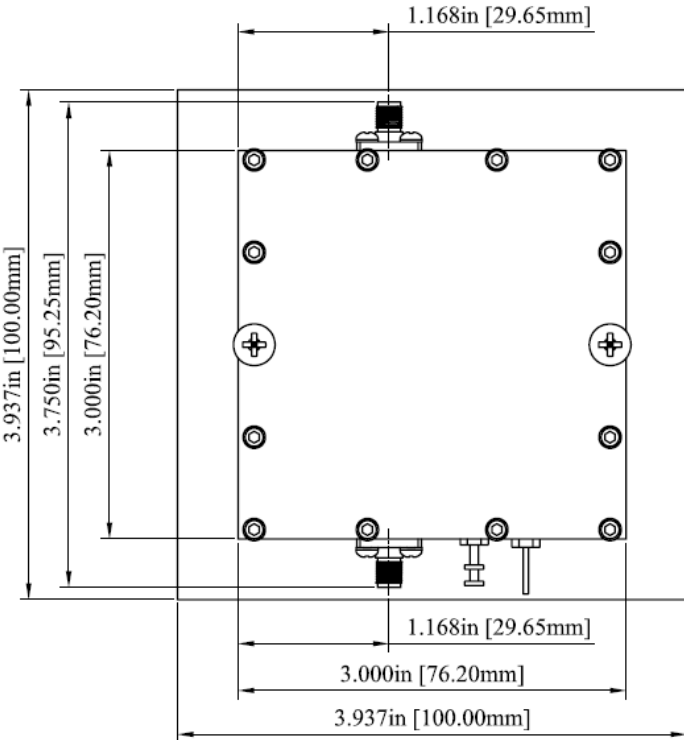


Mechanical Specifications

- Connectors:** SMA (F)
- Enclosure:** Aluminum – clear irridite per MIL-C-5541 class 3

NOTES

- Over-supply voltage protection.
- Over-current protection.
- Input/output ports should have 50 Ohm source/load, respectively.
- Open load is not recommended.
- Operating temperature is -35° C to 75° C





NORTEC

RF Products

High Gain General Purpose Amplifier

Model #: A110043000

