



NORTEC

RF Products

High Gain General Purpose Amplifier

Model #: A110024500

Electrical Specifications

Frequency: 190-300 MHz

P1dB: 5 Watts (36 dBm) (minimum)

Gain: 37 dB (Minimum)

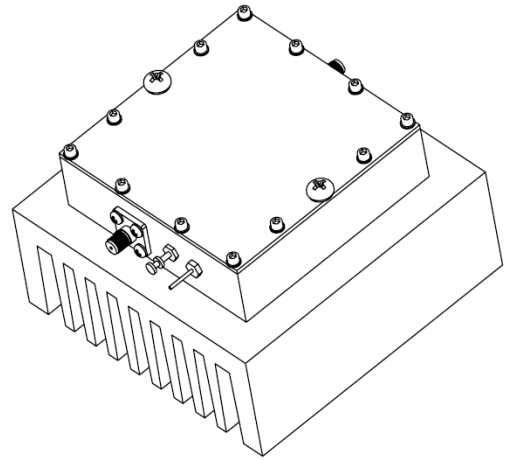
Gain Flatness: +/- 1 dB

DC current: 1.9 A

Input VSWR: 2.5:1 MAX

Supply Voltage: 7.2 V (8 V max.)

Absolute Max. Input RF: 0 dBm



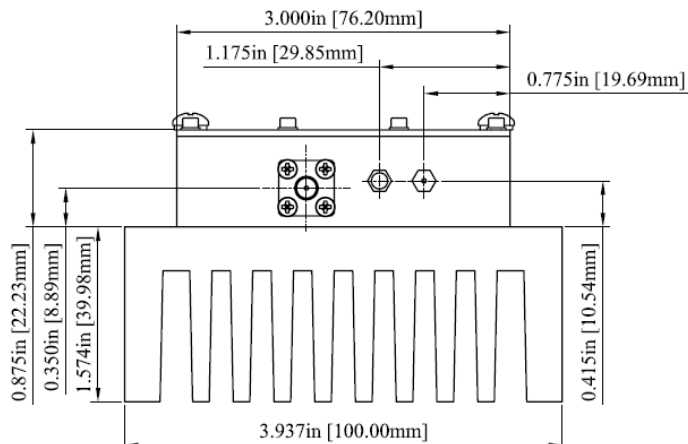
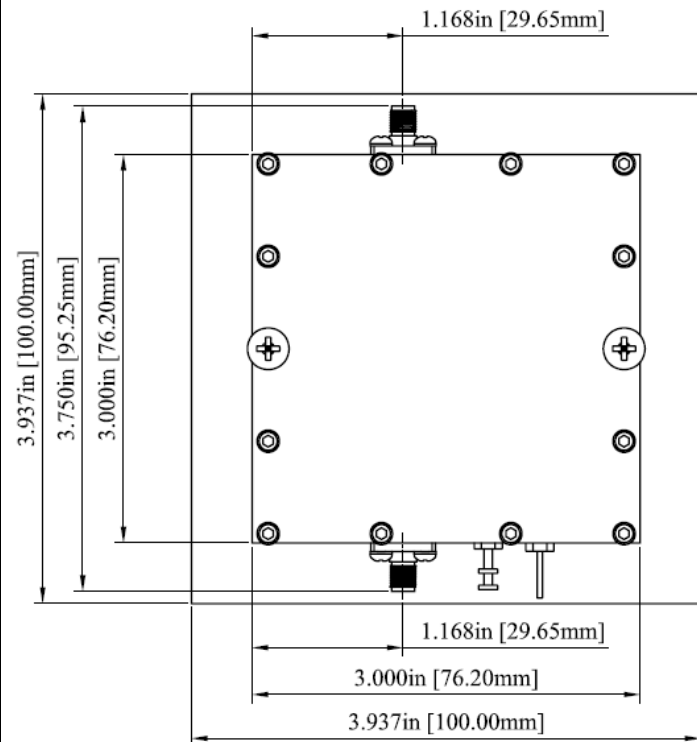
Mechanical Specifications

Connectors: SMA (F)

Enclosure: Aluminum – clear irridite per MIL-C-5541 class 3

NOTES

- Over-supply voltage protection.
- Over-current protection.
- Input/output ports should have 50 Ohm source/load, respectively.
- Open load is not recommended.
- Operating temperature is -35° C to 75° C





NORTEC

RF Products

High Gain General Purpose Amplifier

Model #: A110024500

