



NORTEC

RF Products

High Gain General Purpose Amplifier

Model #: A110015000

Electrical Specifications

Frequency: 100-200 MHz

P1dB: 7 Watts (38.5 dBm) (minimum)

Gain: 44 dB (min)

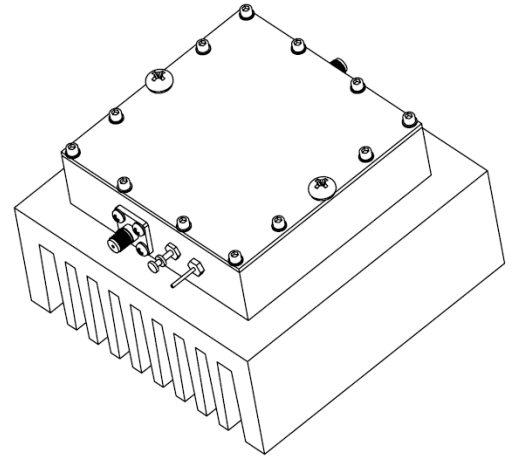
Gain Flatness: +/- 0.5 dB

DC Current: 1.85A

Input VSWR : 2.5:1 MAX

Supply Voltage: 12 V (12.5 V max.)

Absolute Max. Input RF: -5 dBm



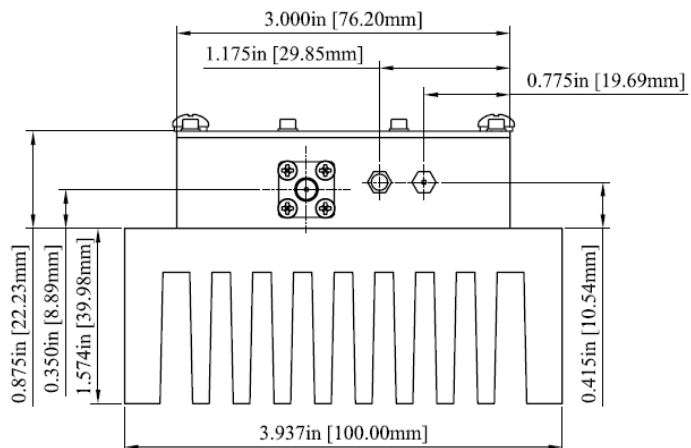
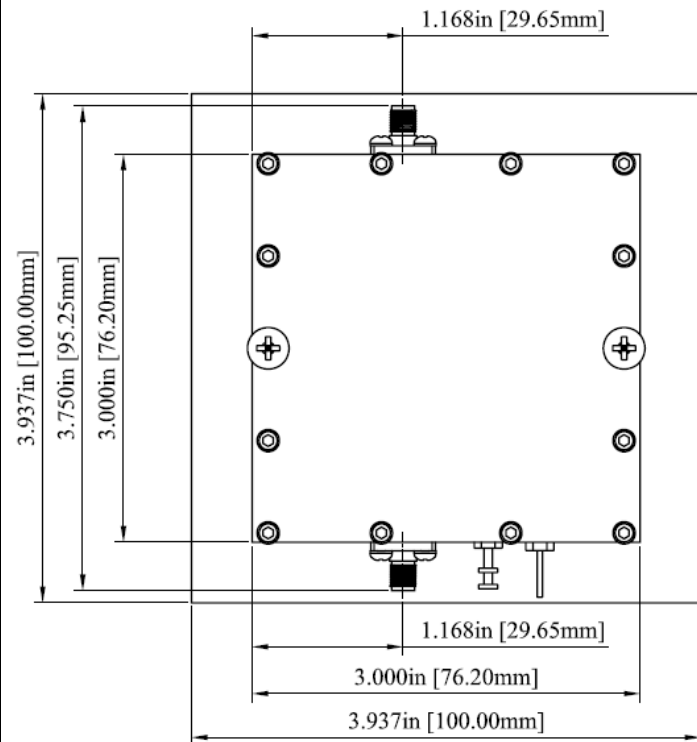
Mechanical Specifications

Connectors: SMA (F)

Enclosure: Aluminum – clear irridite per MIL-C-5541 class 3

NOTES

- Over-supply voltage protection.
- Over-current protection.
- Input/output ports should have 50 Ohm source/load, respectively.
- Open load is not recommended.
- Operating temperature is -35° C to 75° C





NORTEC

RF Products

High Gain General Purpose Amplifier

Model #: A110015000

