



NORTEC

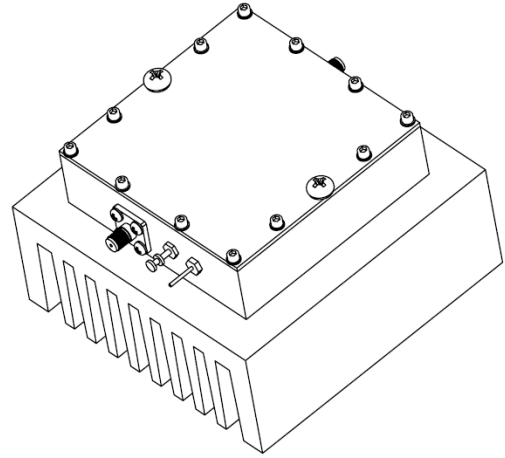
RF Products

High Gain General Purpose Amplifier

Model #: A110008000

Electrical Specifications

Frequency: 60-100 MHz
P1dB: 5 Watts (37 dBm) (minimum)
Gain: 42 dB (minimum)
Gain Flatness: +/- 1.0 dB
DC current: 1.25 A
Input VSWR: 1.5:1 MAX
Supply Voltage: 12 V (12.5 V max.)
Absolute Max. Input RF: -5 dBm



Mechanical Specifications

Connectors: SMA (F)
Enclosure: Aluminum – clear irridite per MIL-C-5541 class 3

NOTES

- Over-supply voltage protection.
- Over-current protection.
- Input/output ports should have 50 Ohm source/load, respectively.
- Open load is not recommended.
- Operating temperature is -35° C to 75° C

